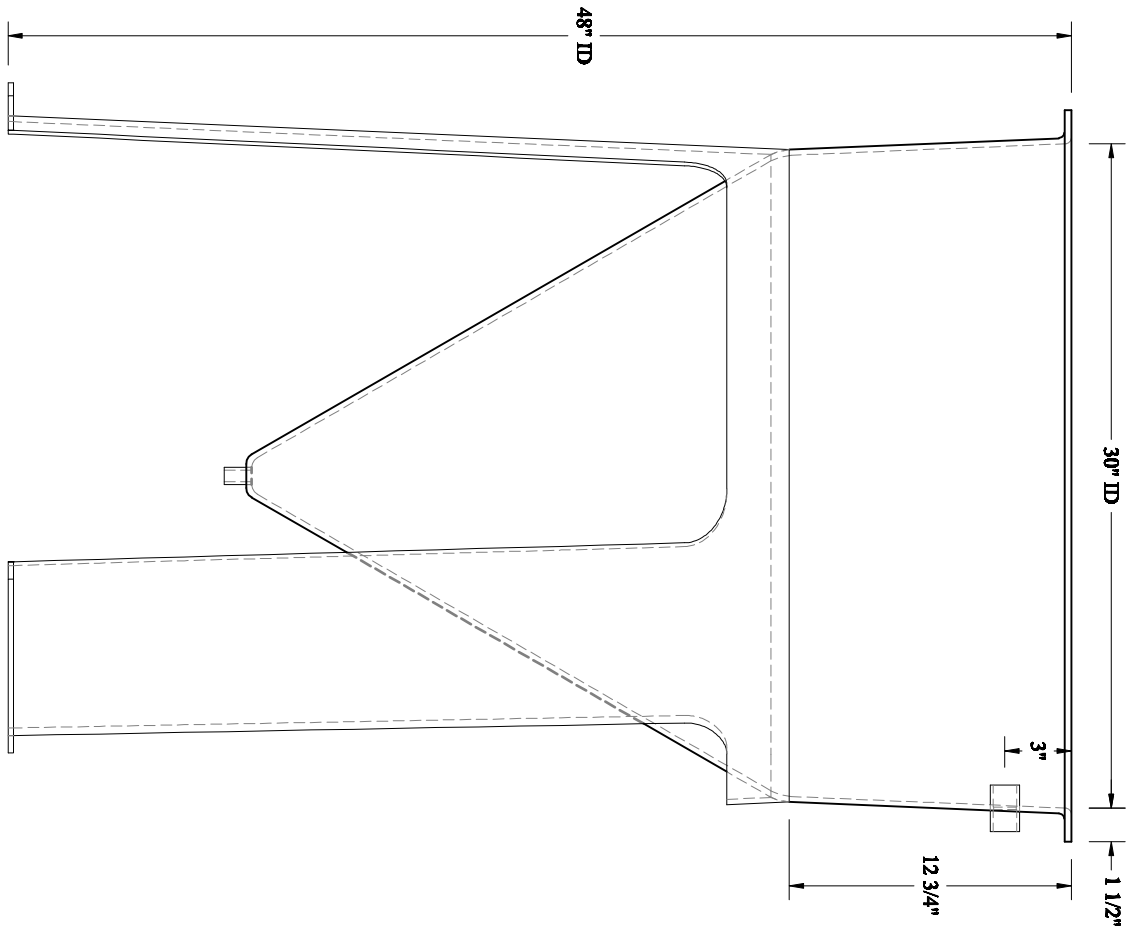


**HYDRO
COMPOSITES, L.L.C.**

**LARVAE TANK
ISOMETRIC VIEW**

Date	Scale	Dwg. No.	Page	Rev.
10-26-09	NTS	Larvae Tank FRT-60CD.SL	- / -	5
Drwn	Chkd			
SSB	CLM			

CONFIDENTIAL



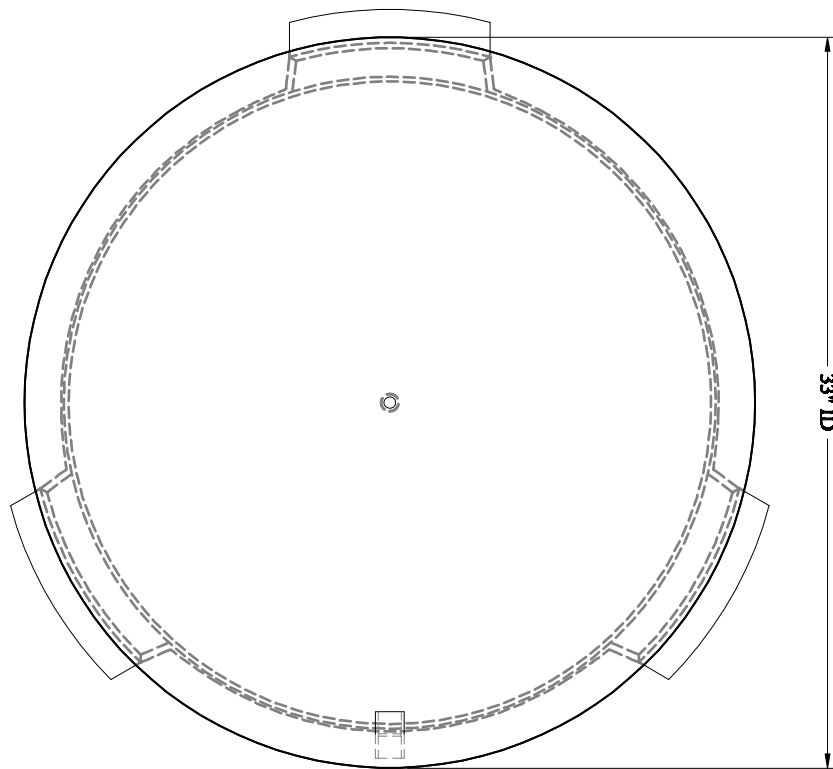
**HYDRO
COMPOSITES, L.L.C.**

LARVAE TANK

FRONT VIEW ALL

Date	Scale	Dwg. No.	Page	Rev.
10-26-09	1" = 1'-0"	Larvae Tank	1 / 6	5
Drwn SSB	Chkd CLM	FRT-60CD.SL		

CONFIDENTIAL



33" ID



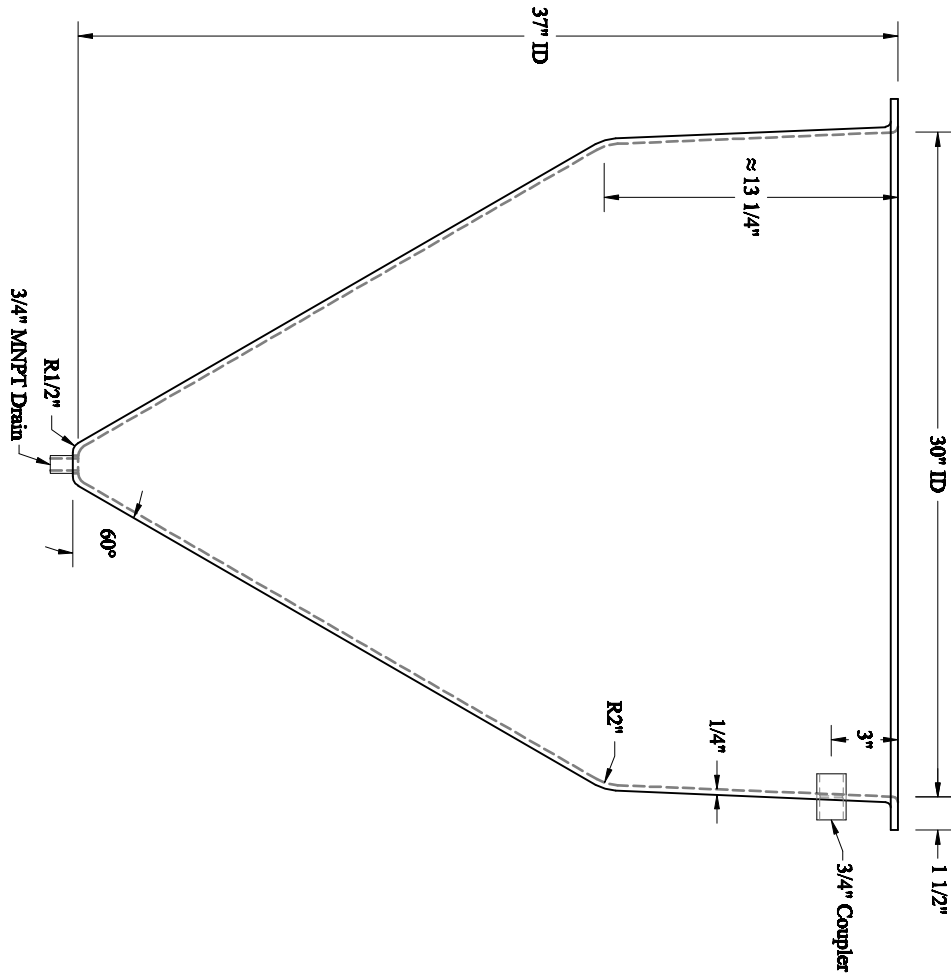
**HYDRO
COMPOSITES, L.L.C.**

LARVAE TANK

TOP VIEW ALL

Date	10-26-09	Scale	1" = 1'-0"	Dwg. No.	Larvae Tank FRT-60CD.SL	Page	2 / 6	Rev.	5
Drwn	SSB	Chkd	CLM						

CONFIDENTIAL



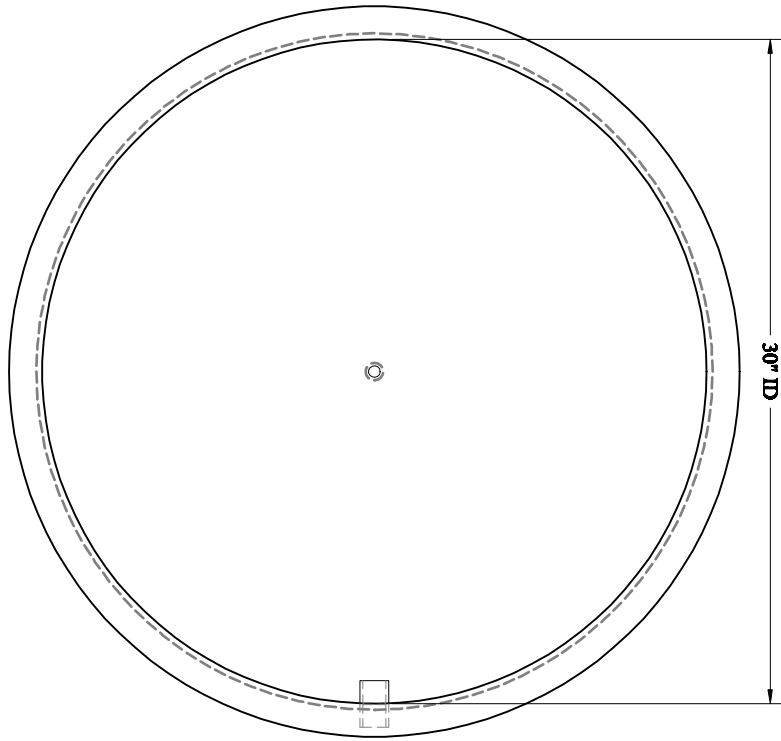
**HYDRO
COMPOSITES, L.L.C.**

LARVAE TANK

FRONT VIEW TOP

Date	Scale	Dwg. No.	Page	Rev.
10-26-09	1" = 1'-0"	Larvae Tank	3 / 6	5
Drwn SSB	Chkd CLM	FRT-60CD.SL		

CONFIDENTIAL



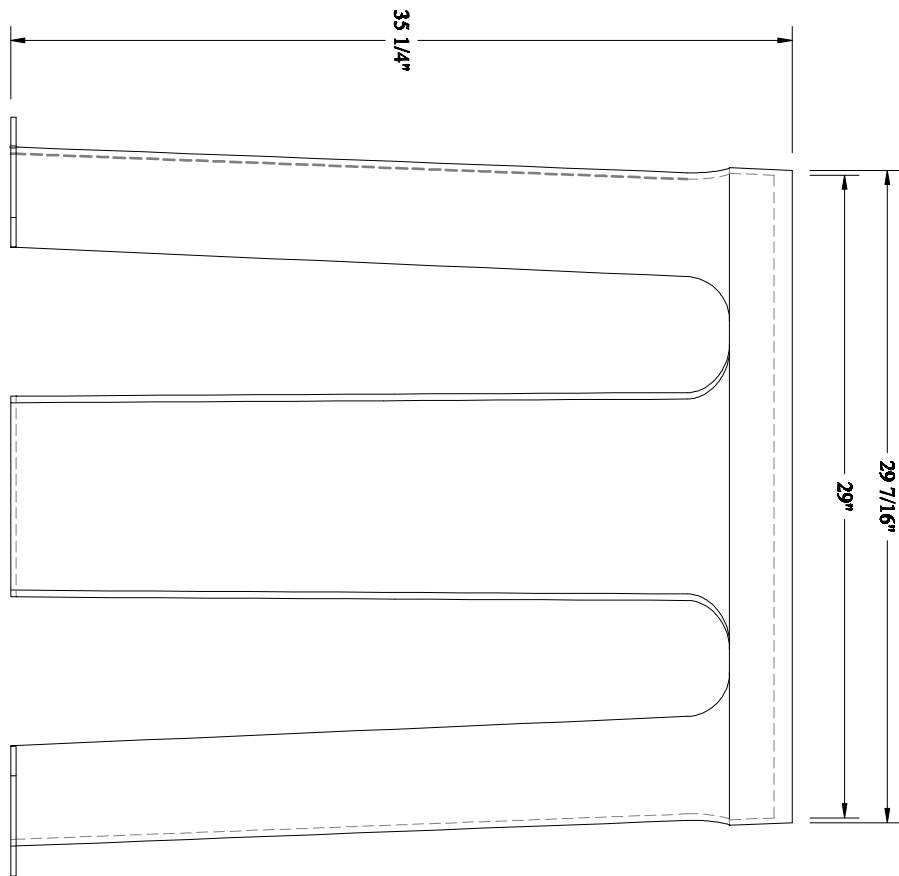
**HYDRO
COMPOSITES, L.L.C.**

LARVAE TANK

TOP VIEW TOP

Date	Scale	Dwg. No.	Page	Rev.
10-26-09	1" = 1'-0"	Larvae Tank	4 / 6	5
Drwn SSB	Chkd CLM	FRT-60CD.SL		

CONFIDENTIAL



NOTE: This detail is rotated 30° for clarity.



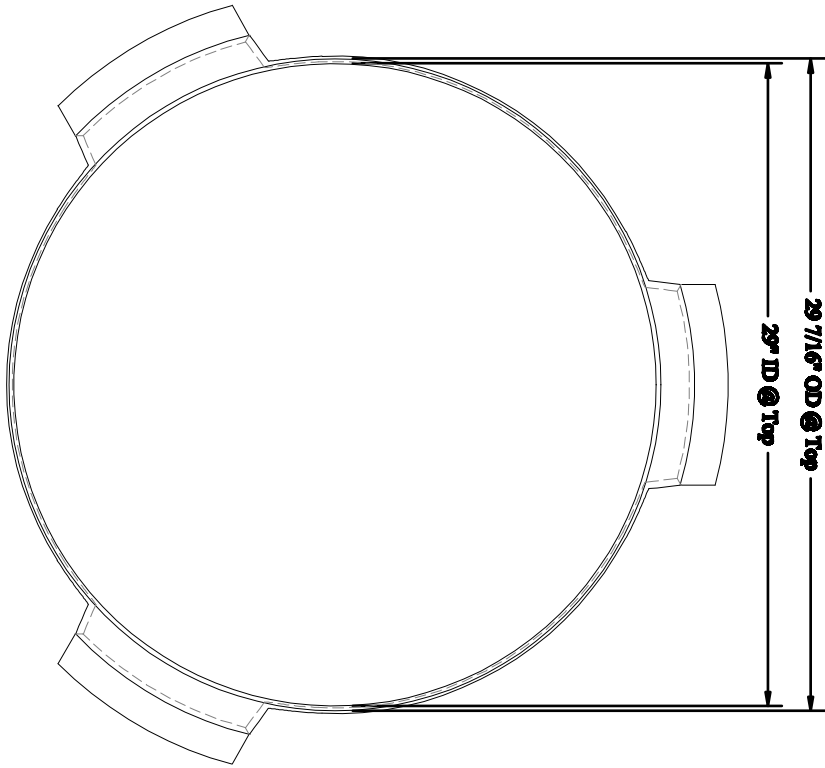
**HYDRO
COMPOSITES, L.L.C.**

LARVAE TANK

FRONT VIEW BASE

Date	Scale	Dwg. No.	Page	Rev.
10-26-09	1" = 1'-0"	Larvae Tank	5 / 6	5
Drwn	Chkd	FRT-60CD.SL		
SSB	CLM			

CONFIDENTIAL



NOTE: This detail is rotated 30° for clarity.



**HYDRO
COMPOSITES, L.L.C.**

LARVAE TANK

TOP VIEW BASE

Date	Scale	Dwg. No.	Page	Rev.
10-26-09	1" = 1'-0"	Larvae Tank	6 / 6	5
Drwn SSB	Chkd CLM	FRT-60CD.SL		

CONFIDENTIAL