

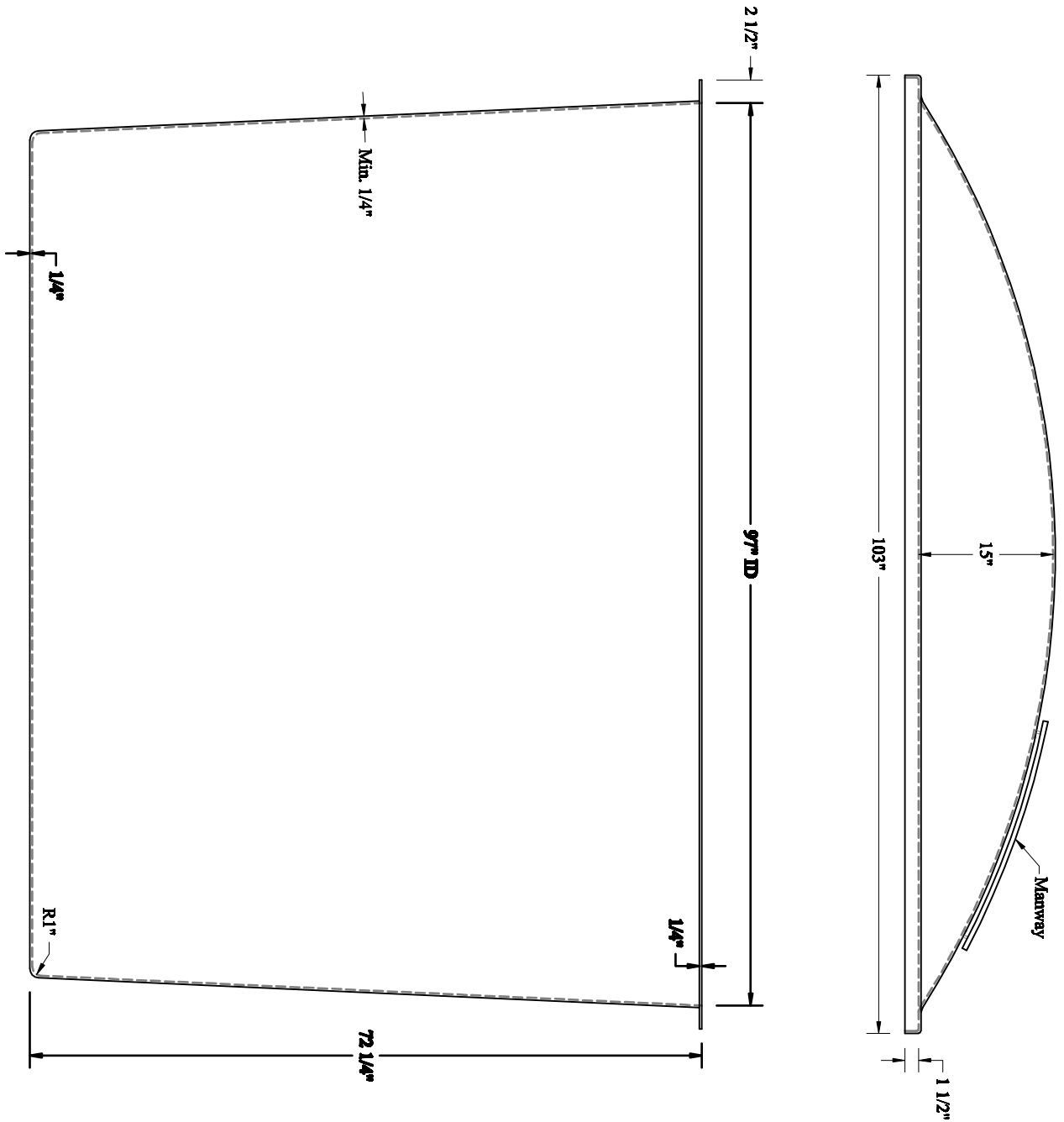
**HYDRO  
COMPOSITES, L.L.C.**

**2085 GAL. WATER TANK WITH LID**

**ISOMETRIC VIEW**

Date	5-1-09	Scale	NTS	Dwg. No.	WSC-2085	Page	- / -	Rev.	1
Drwn	SSB	Chkd	CLM						

**CONFIDENTIAL**



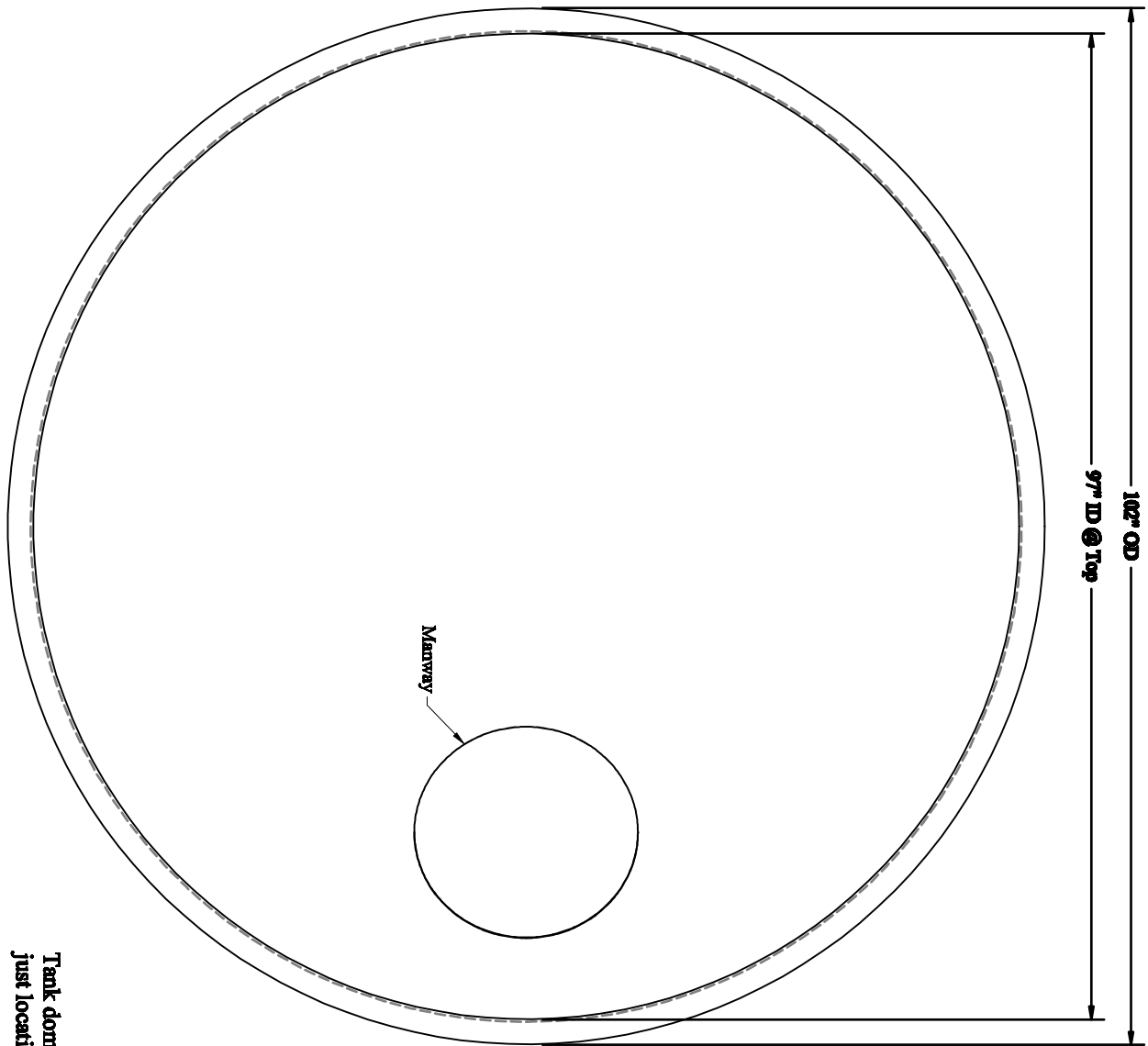
**HYDRO  
COMPOSITES, L.L.C.**

**2085 GAL. WATER TANK WITH LID**

**FRONT VIEW**

Date	Scale	Dwg. No.	Page	Rev.
5-1-09	3/4" = 1'-0"	WSC-2085	1 / 2	1
Drwn SSB	Chkd CLM			

**CONFIDENTIAL**



Tank dome not shown -  
just location of manway



**HYDRO  
COMPOSITES, L.L.C.**

**2085 GAL. WATER TANK WITH LID**

**TOP VIEW**

Date	5-1-09	Scale	3/4" = 1'-0"	Dwg. No.	WSC-2085	Page	2 / 2	Rev.	1
Drwn	SSB	Chkd	CLM						

**CONFIDENTIAL**