

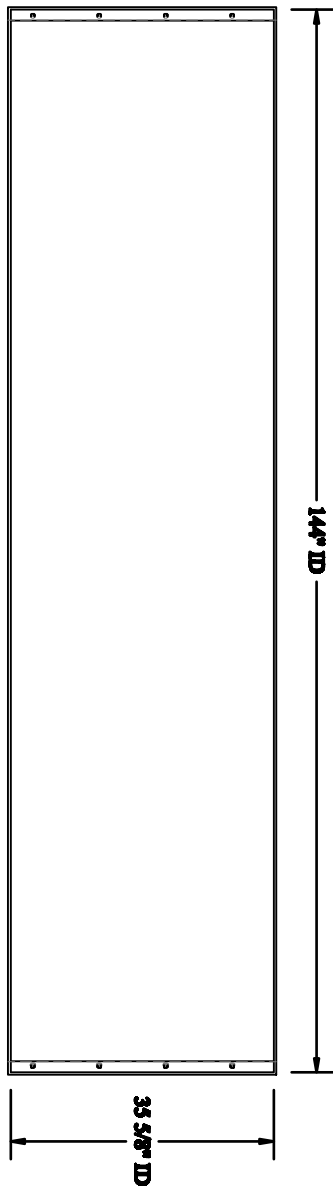
**HYDRO
COMPOSITES, L.L.C.**

20' x 3' PANEL TANK

ISO VIEW

Date	4-30-10	Scale	NTS	Dwg. No.	20' x 3' Tank RPT-7000	Page	- / -	Rev.	4
Drwn	SSB	Chkd	CLM						

CONFIDENTIAL



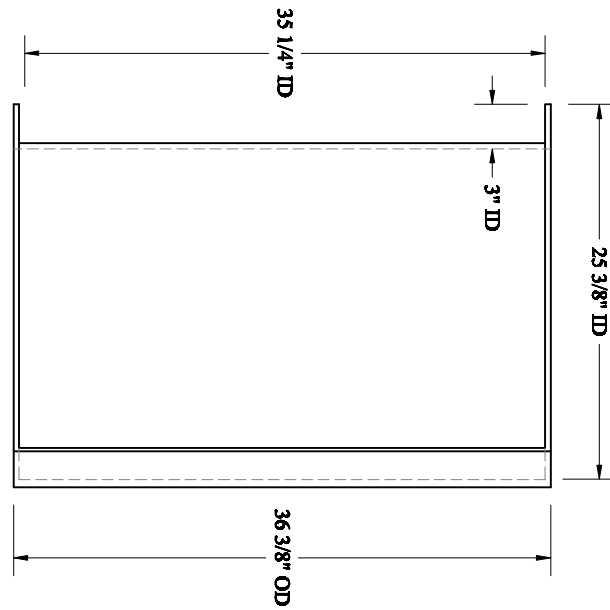
**HYDRO
COMPOSITES, L.L.C.**

20' x 3' PANEL TANK

FRONT VIEW

Date	4-30-10	Scale	1 1/2" = 1'-0"	Dwg. No.	20' x 3' Tank RPT-7000	Page	1 / 4	Rev.	4
Drwn	SSB	Chkd	CLM						

CONFIDENTIAL



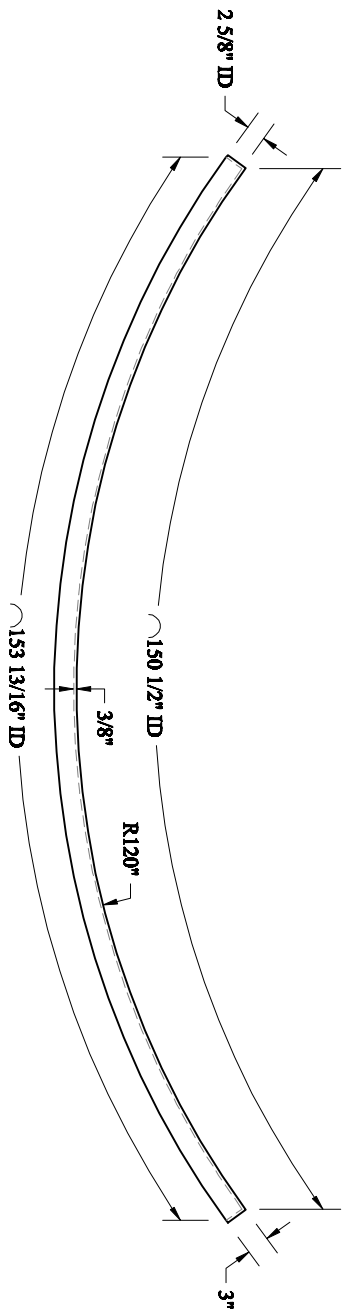
**HYDRO
COMPOSITES, L.L.C.**

20' x 3' PANEL TANK

SIDE VIEW

Date	4-30-10	Scale	1" = 1'-0"	Dwg. No.	20' x 3' Tank RPT-7000	Page	3 / 4	Rev.	4
Drwn	SSB	Chkd	CLM						

CONFIDENTIAL



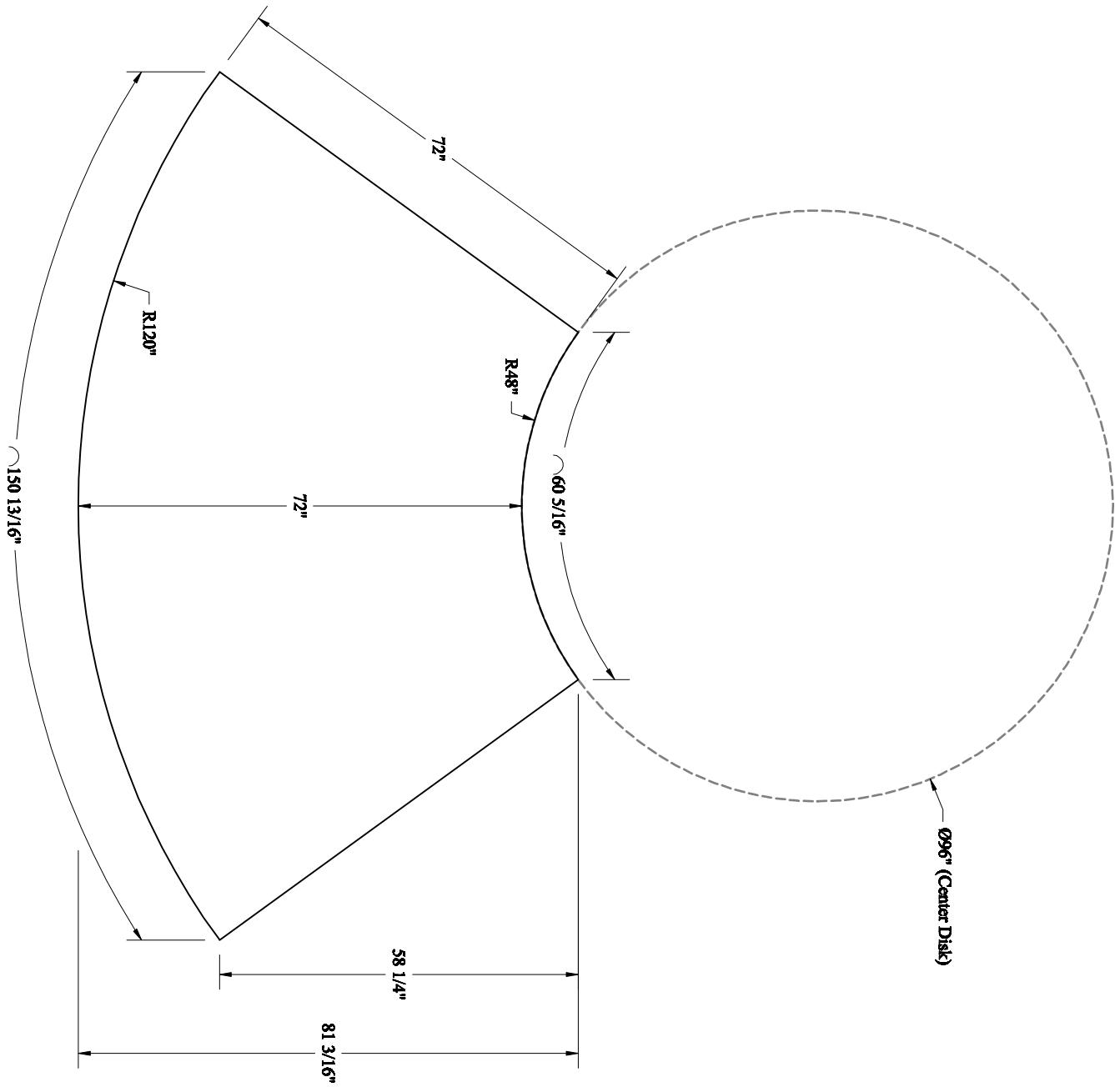
**HYDRO
COMPOSITES, L.L.C.**

20' x 3' PANEL TANK

TOP VIEW

Date	4-30-10	Scale	1 1/2" = 1'-0"	Dwg. No.	20' x 3' Tank RPT-7000	Page	2 / 4	Rev.	4
Drwn	SSB	Chkd	CLM						

CONFIDENTIAL



**HYDRO
COMPOSITES, L.L.C.**

**20' x 3' PANEL TANK
WEDGE & DISK TOP VIEW**

Date	4-30-10	Scale	1/2" = 1'-0"	Dwg. No.	20' x 3' Tank RPT-7000	Page	4 / 4	Rev.	4
Drawn	SSB	Chkd	CLM						

CONFIDENTIAL