

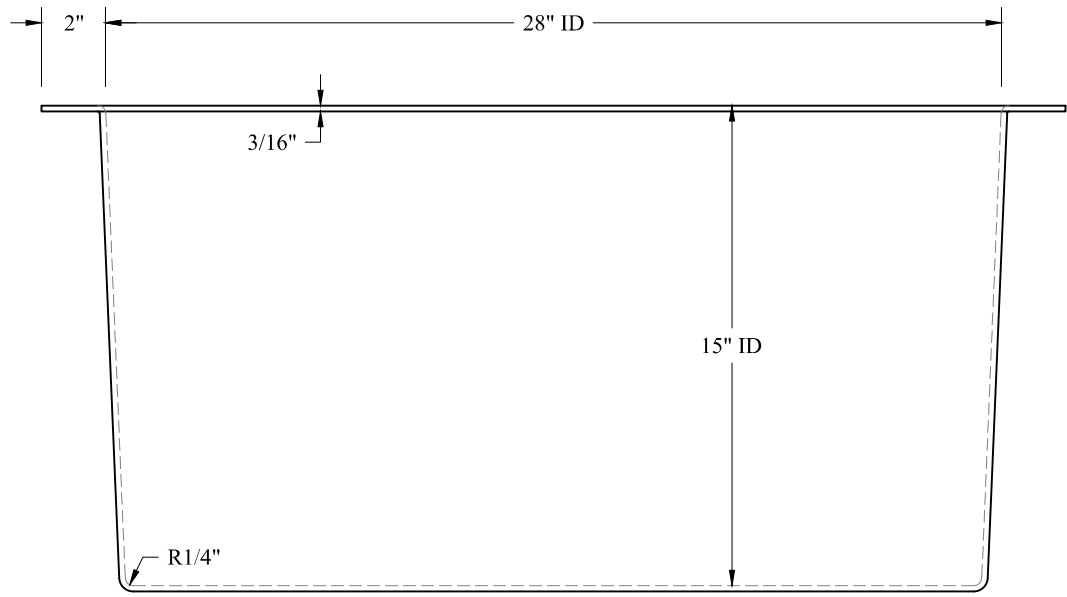
CONFIDENTIAL

45 GAL. RECT. TANK 28L x 25W x 15D

ISOMETRIC VIEW

Date	11-30-12	Scale	NTS	Dwg. No.	FBT-45	Page	- / -	Rev.	1
Drwn	SSB	Chkd	CLM						





CONFIDENTIAL

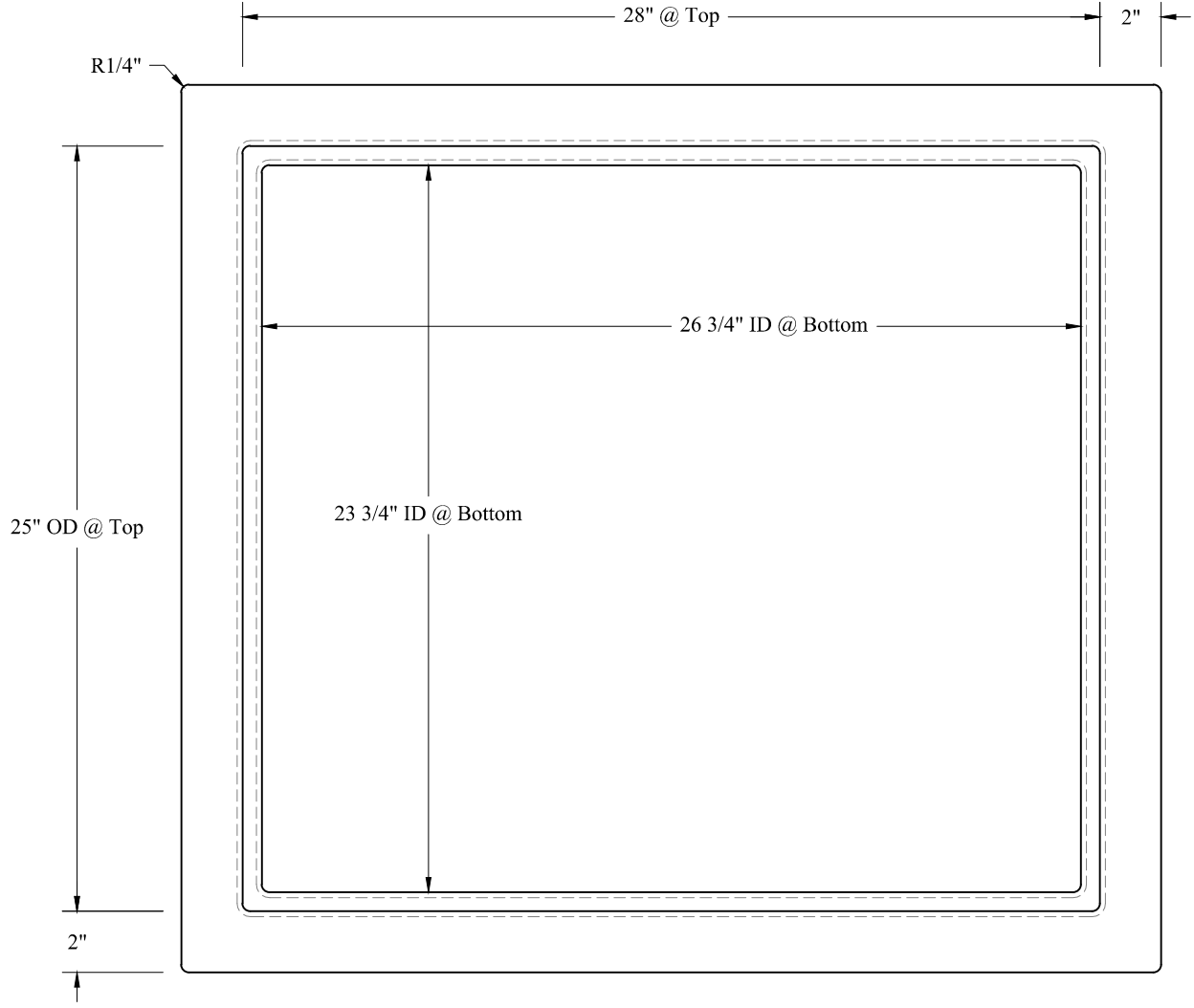
45 GAL. RECT. TANK 28L x 25W x 15D

FRONT VIEW

Date	11-30-12	Scale	1:6	Dwg. No.		Page	1 / 2	Rev.	1
Drwn	SSB	Chkd	CLM		FBT-45				



CONFIDENTIAL



45 GAL. RECT. TANK 28L x 25W x 15D

TOP VIEW

Date	Scale	Dwg. No.	Page	Rev.
11-30-12	1:6		2 / 2	1
Drwn	SSB	Chkd	CLM	FBT-45



HYDRO
COMPOSITES, L.L.C.