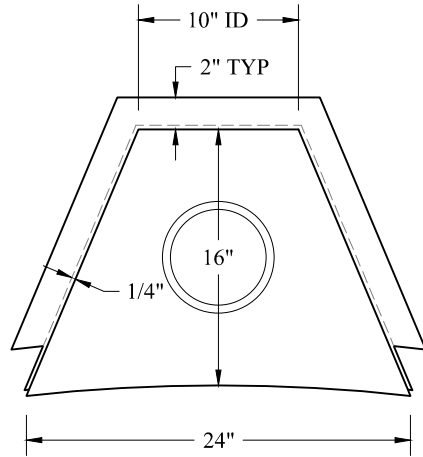
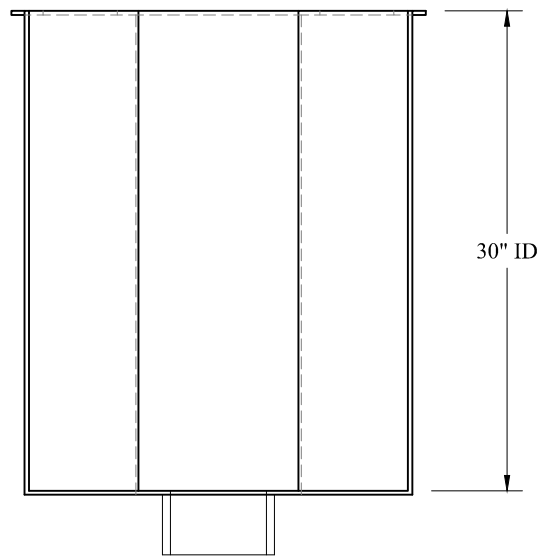
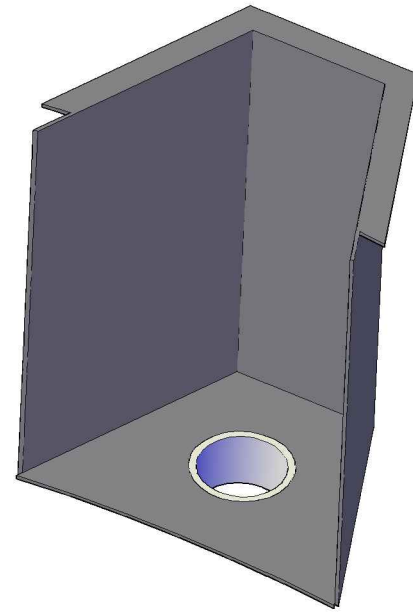


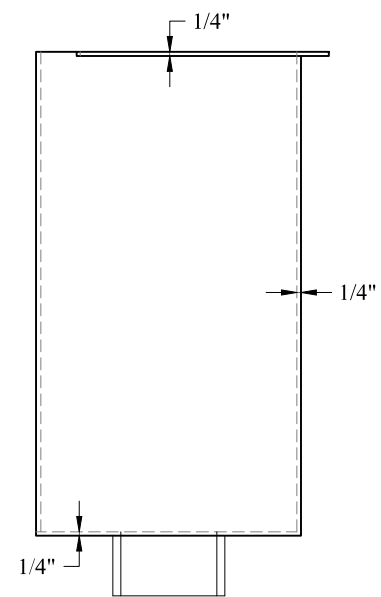
CONFIDENTIAL



Top View



Front View



Side View

24" SIDEWALL SKIMMER BOX

DETAIL VIEWS

Date	Scale	Dwg. No.	Page	Rev.
11-20-12	1" = 1'-0"		1	1
Drwn	Chkd		1	1
SSB	CLM	24" Sidewall Skimmer Box		

